

# Alto-Shaam AR-7E/GC Rotisserie Grease Collection

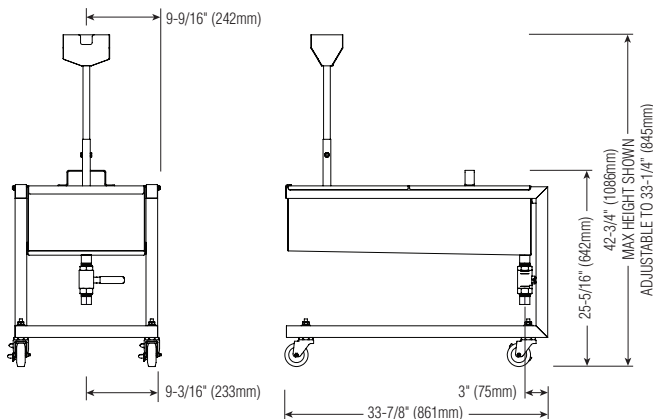
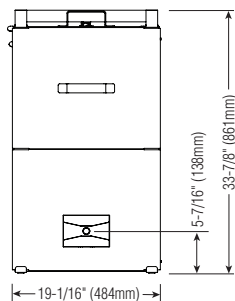
**Convenient, safe, and clean grease collection in a unique design.**

**Safe** – Protect your employees from messy spills and slippery floors. Collect and transport chicken fat and other drippings from your AR-7E Electric Rotisserie oven in this one collection cart.

**Convenient** – Simply roll the Grease Collection System to your Electric Rotisserie. The telescoping collection tray rises to the correct oven height. When you're finished, roll the AR-7E/GC away.

**Clean** – Forget using buckets or pans to collect grease. The collection container stores grease inside the cart. The system empties from the valve underneath the cart directly into your central grease collection, with no direct contact with the collected grease.

**Unique design** – Created specifically for use with the Alto-Shaam AR-7E Electric Rotisserie on the oven stand FR-26550, the Grease Collection System is the easy way to keep your employees and your kitchen safe and clean.



## INSTALLATION REQUIREMENTS

- Oven must be installed level.
- Exhaust ventilation is required.
- Oven must be mounted on oven stand, FR-26550 (purchased separately).
- 6" (152mm) clearance on left, right and rear sides.



1-800-558-8744  
www.alto-shaam.com



**Ecologically Smart.  
Economically Smart.**