

LIFTS

DFE Tote Dump

Holds 1 Plastic Lugger (Not Included)
Maximum Lift Capacity Of 100-LBS.
27" Wide, 34" Long, 91-5/8" High
Dump Height 66"



DMX Hydraulic Mixer Lift

Hydraulic Mixer Lifts Available In
100, 200, 300, 500-LBS. Capacity
P.O.R.



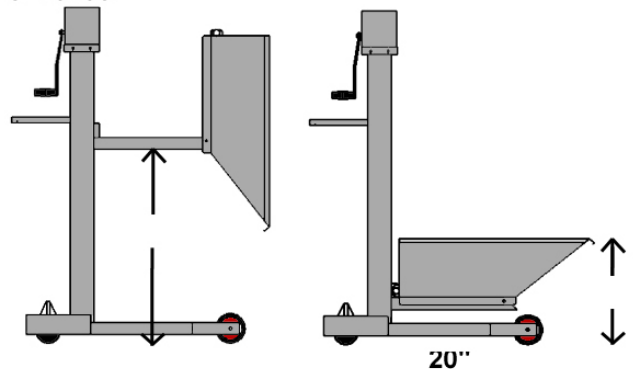
Cable Lift Unloader Cart

Designed To Unload The DVTS 1000 Tumbler.
Up to 1000-LBS Of Product Can Be Unloaded
And Lifted Up To A Comfortable Working
Height of 37". Tub 71-1/4" x 36" x 12".
Overall Dimensions 40-1/2"H x 40"W x 102"
No. 10083



Cable Lift Dump Truck

200-LBS. Capacity Ideal For Tumblers And Mixers.
Overall Dimensions 59"H x 27-3/4"W x 43"L
No. 20703



Daniels **F**ood **E**quipment